

Instructions

Extend Card (O.S.D.)

Before attempting to connect or install this product, please read these instructions carefully and save this manual for future use.

Model No. **WJ-PB85T08**

Caution

Hold this board only by its edges. Otherwise components on the board may be damaged by static electricity.

■ Preface

The WJ-PB85T08 On Screen Display Board is an optional board for displaying the camera title, clock, and system status on the active monitors.

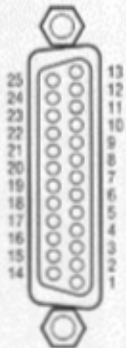
■ Appearance

① Monitor Output Connector (MONITOR OUT, 1 - 8)

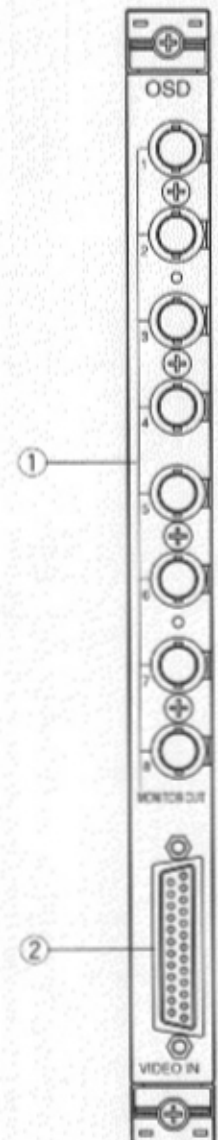
Outputs the video signal connected to the VIDEO IN port with the character display for the video monitor.

② Video Input Port (VIDEO IN)

Accepts the video signal from the VIDEO OUT Port on the WJ-PB85M16 Cross Point Output Board of the Cross Point cage (MXSW).

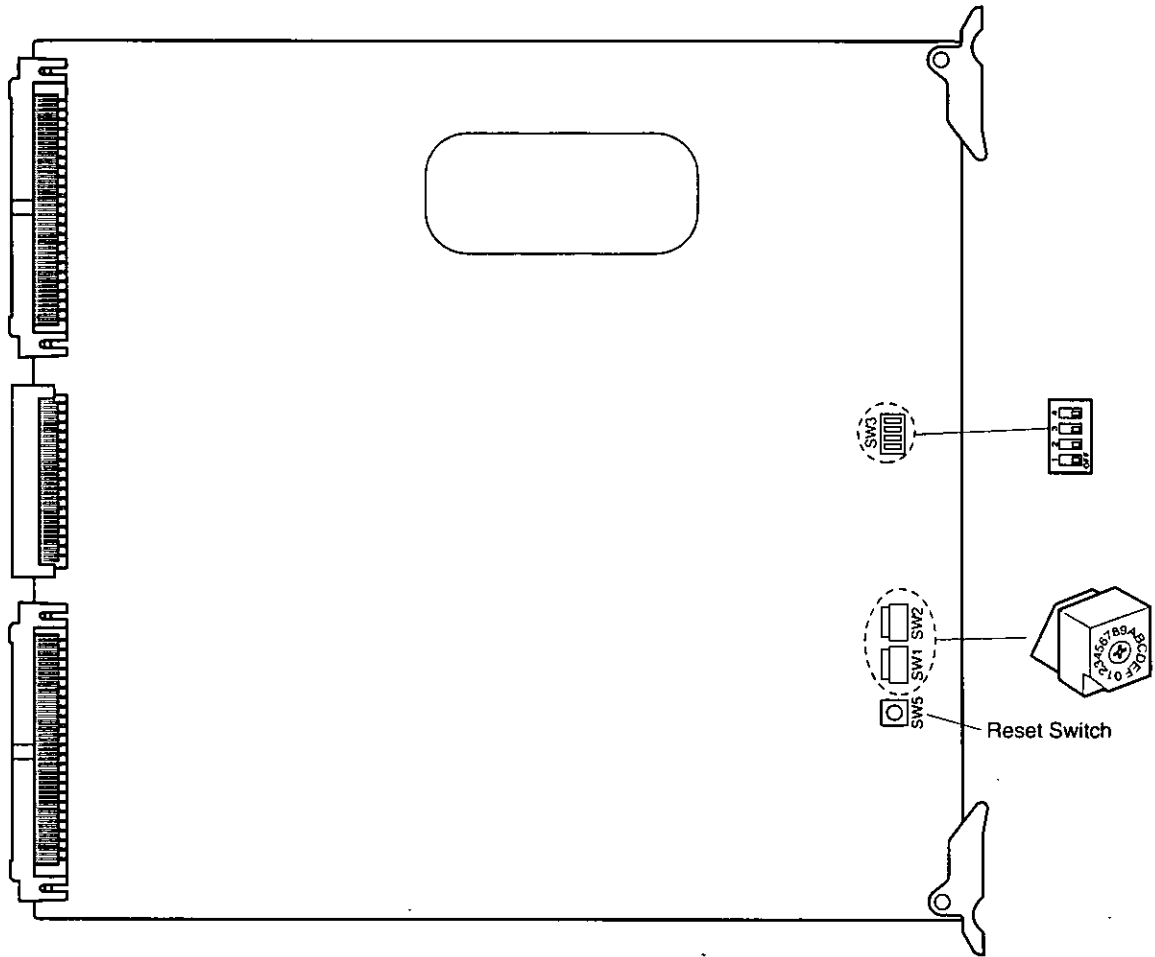


Pin No.	Designation	Pin No.	Designation
25	VIDEO 1	13	Ground
24	VIDEO 2	12	Ground
23	VIDEO 3	11	Ground
22	VIDEO 4	10	Ground
21	VIDEO 5	9	Ground
20	VIDEO 6	8	Ground
19	VIDEO 7	7	Ground
18	VIDEO 8	6	Ground
17	Not used	5	Ground
16	Not used	4	Ground
15	Not used	3	Ground
14	Not used	2	Ground
		1	Ground



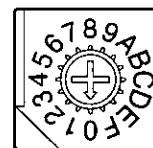
Board Setting

Before installing this board, the following settings should be made by qualified service personnel or system installers.

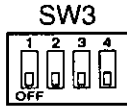


- Set switches (SW1 and SW2) on the board to designate the On Screen Display board number as shown in the following table.
The factory default setting is Board Number 1 (00).

Board No.	Monitor Output	SW Positions	
		SW2	SW1
1	1 - 8	0	0
2	9 - 16	0	1
3	17 - 24	0	2
4	25 - 32	0	3
5	33 - 40	0	4
6	41 - 48	0	5
7	49 - 56	0	6
8	57 - 64	0	7
9	65 - 72	0	8
10	73 - 80	0	9
11	81 - 88	0	A
12	89 - 96	0	B
13	97 - 104	0	C
14	105 - 112	0	D
15	113 - 120	0	E
16	121 - 128	0	F



- Confirm that switches (SW3) on the board are set to the OFF position as shown below.



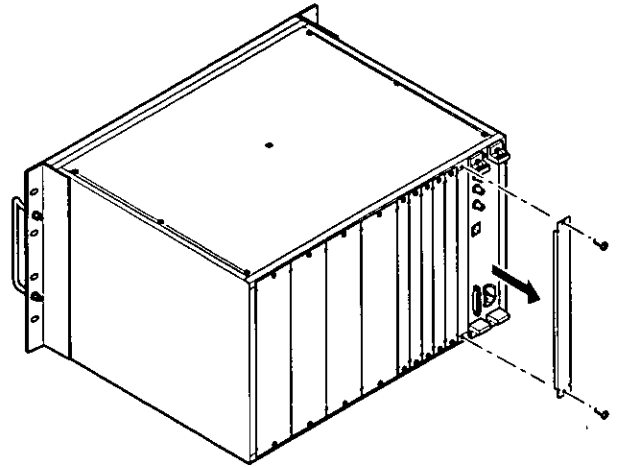
Switch Number	Switch Positions			
	1	2	3	4
SW3	OFF	OFF	OFF	OFF

■ Installation

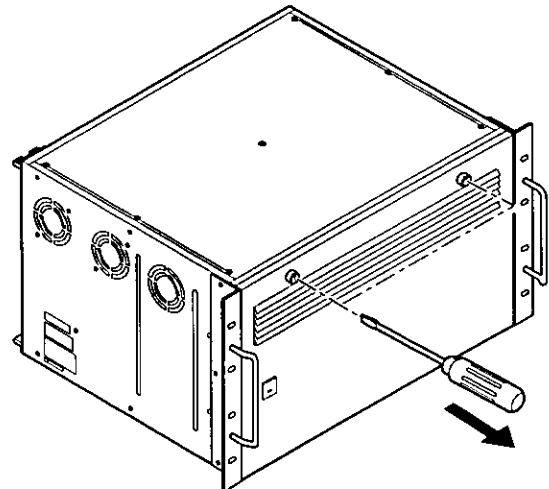
The following installation should be made by qualified service personnel or system installers.

● Installing Additional Extension Boards

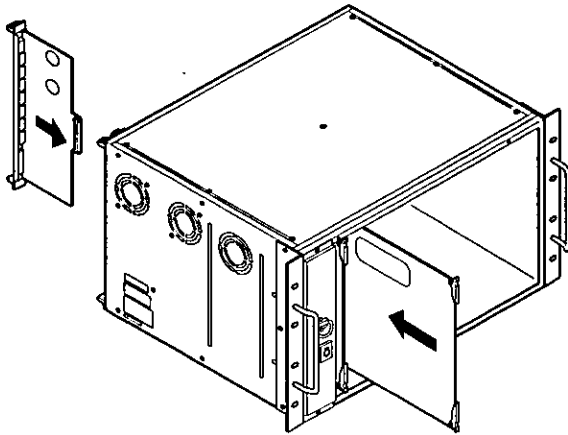
- Remove the screws from the rear panel(s) of the WJ-SX850 Matrix Switcher Card Cage.



- Remove the rear panel(s).
- Remove the front panel of the cage by removing the two screws on the panel shown below.

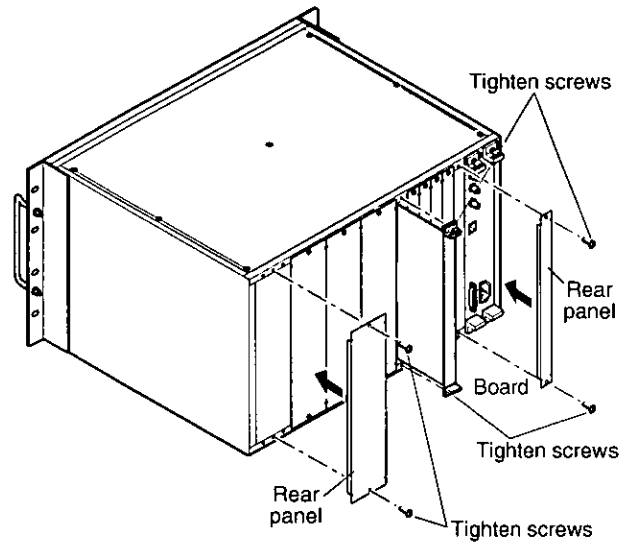


4. Place the Boards into the specified positions in the front or rear of the Cage by sliding them along the board guides as shown below.



5. Make sure to push in the Boards until they are seated firmly.

6. Secure the rear board by tightening the two screws on the board.



7. Close open spaces on the rear of the Cage with the supplied rear panel(s).

8. Close the front of the cage by fixing the front panel.

■ Specifications

Video Input	1.0 V[p-p]/75Ω composite video signal
Video Output:	8 inputs 25-pin D-sub connector
On Screen Display:	1.0 V[p-p]/75Ω composite video signal
Time and Date:	3 display types selectable
Camera Title:	1 Line, 30 alphanumeric characters maximum
Dimensions:	Front Board; 255(W) x 250(H) x 12(D) mm 10-1/16"(W) x 9-13/16"(H) x 1/2"(D)
	Rear Board; 117.5(W) x 265(H) x 20(D) mm 4-5/8"(W) x 10-7/16"(H) x 13/16"(D)
Weight:	0.6 kg (1.3 lbs)

Weight and dimensions indicated are approximate.
Specifications are subject to change without notice.

Panasonic Security and Digital Imaging Company
A Division of Matsushita Electric Corporation of America
Executive Office: One Panasonic Way 3E-7, Secaucus, New Jersey 07094
Regional Offices:
 Northeast: One Panasonic Way, Secaucus, NJ 07094 (201) 348-7303
 Southern: 1225 Northbrook Parkway, Suite 1-160, Suwanee, GA 30024 (770) 338-6838
 Midwest: 1707 North Randall Road, Elgin, IL 60123 (847) 468-5211
 Western: 6550 Katella Ave., Cypress, CA 90630 (714) 373-7840

Panasonic Canada Inc.
 5770 Ambler Drive, Mississauga,
 Ontario, L4W 2T3 Canada (905)624-5010

Panasonic Sales Company
Division of Matsushita Electric of Puerto Rico Inc.
 Ave. 65 de Infanteria, Km. 9.5
 San Gabriel Industrial Park, Carolina,
 Puerto Rico 00985 (809)750-4300